

J-Bed® Performance Airflow

Single Folding Bed

Features

- British made with a lifetime frame guarantee
- Suitable for regular use
- FSC Certified sprung slatted base for adaptable support
- High performance mattress
- Lightweight anodised aluminium frame
- Exceeds British, European and North American safety standards
- Exclusive J-Lok® mechanism for easy opening and closing
- Suitable for use in contract environments (e.g. Hotels)

Product codes

Folding Bed: 110900 Mattress: 910945

Accreditations

Tested and accredited to British, European and North American safety standards including:

Relating to the Frame

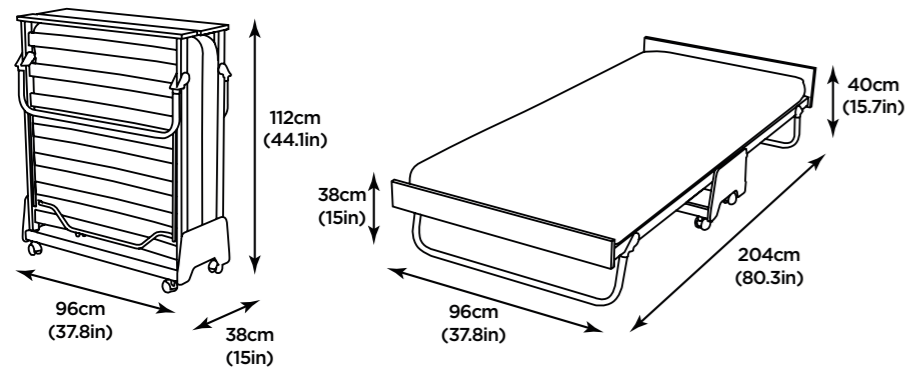
BS EN 1725

Relating to the Mattress

- BS EN 597-1 - FR requirement
- BS EN 597-2 - FR requirement
- BS 6807 - Clause 9 (Source 5) FR requirement
- BS 7177 Contract - FR requirements
- 16 CFR 1633 Standard

Dimensions & Packaging

Packed size: 97 x 39 x 117cm (0.44m³) Weight: 30.65kg / 67.6lb



Bed weight: 27kg / 60lb

Space under bed when open: 22cm (8.7in)

Mattress dimensions: W88cm (34.6in) L199cm (78.3in) D10cm (3.9in)



JAY-BE®
Sleep Smart

Suitable for Contract

Created without compromise, the JAY-BE® J-Bed® folding bed brings together the most innovative technologies to create one of the most luxurious folding guest beds imaginable. Made using the finest materials, the anodised aluminium frame is lightweight and sits on premium 360° castors which allow the bed to be easily manoeuvred. Precision injection moulded components compliment the stylish appearance. The exclusive J-Lok® folding mechanism enables effortless opening and closing of the bed, one side at a time. Resting on the sprung slatted base, the dual density mattress combines two layers of Airflow Fibre for optimum comfort. A higher density lower layer of fibre provides support, whilst a softer top layer offers extra comfort.

Unlike foam, the Airflow Fibre Mattress fillings have a unique open cell structure for ventilation. This allows the mattress breathe which helps to maintain body temperature during sleep for optimum comfort.

All JAY-BE® folding beds are made in the UK and come with a FREE lifetime frame guarantee for your complete quality assurance.