

Royal Pocket Sprung

Single Folding Bed

Features

- British made with a lifetime frame guarantee
- Suitable for regular use
- FSC Certified sprung slatted base for adaptable support
- Pocket sprung mattress
- Exceeds British and European safety standards
- Legs automatically open when unfolded
- 360° castors for easy manoeuvrability

Product codes

Folding Bed: 105805 Mattress: 955803

Accreditations

Tested and accredited to British and European safety standards including:

Relating to the Frame

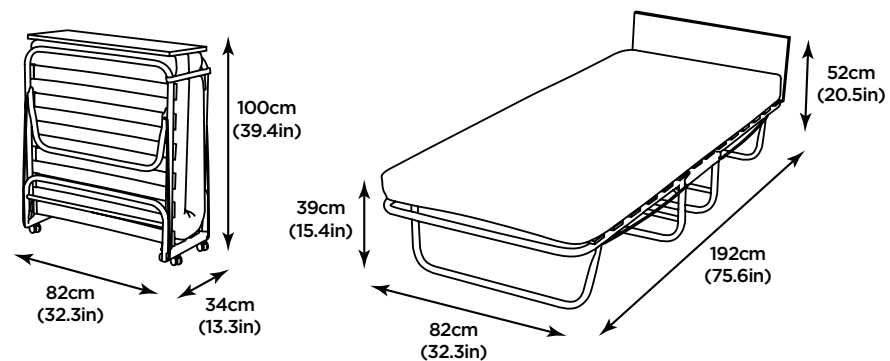
BS EN 1725

Relating to the Mattress

- BS EN 597-1 - FR requirement
- BS EN 597-2 - FR requirement
- BS 7177 Domestic - FR requirements

Dimensions & Packaging

Packed size: 83 x 36 x 89cm (0.27m³) Weight: 24.65Kg / 54.3lb



Bed weight: 22kg / 49lb

Space under bed when open: 25.5cm (10in)

Mattress dimensions: W78cm (30.7in) L182cm (71.7in) D10cm (3.9in)



JAY-BE®

Sleep Smart

Luxury comfort from the latest patented Micro Pocket Spring technology. The JAY-BE® Royal folding bed combines all the benefits of a compact guest bed with the added luxurious of a pocket sprung mattress. Resting on a sprung slatted base, the pocket sprung mattress has over 400 individual springs, topped with sumptuous fillings which adapt to the shape of your body for exceptional personal comfort.

The robust steel frame is finished in a high quality durable epoxy paint for a long lasting new look and the 360° castors allow easy manoeuvrability. Fully automatic folding legs make it easy to open and close in seconds.

All JAY-BE® folding beds are made in the UK and come with a FREE lifetime frame guarantee for your complete quality assurance.

